

The major parts of Z-500 series pipe flowmeter: material of taper tube is polycarbonate(PC), the connectors are polyvinyl chloride(PA66), the float material is stainless steel or ABS, can be acidproof and alkali-resisting.

- Max. working pressure: 6Bar
- Temperature limit: 60°C
- Accuracy: $\pm 5\%$
- O-ring material: EPDM

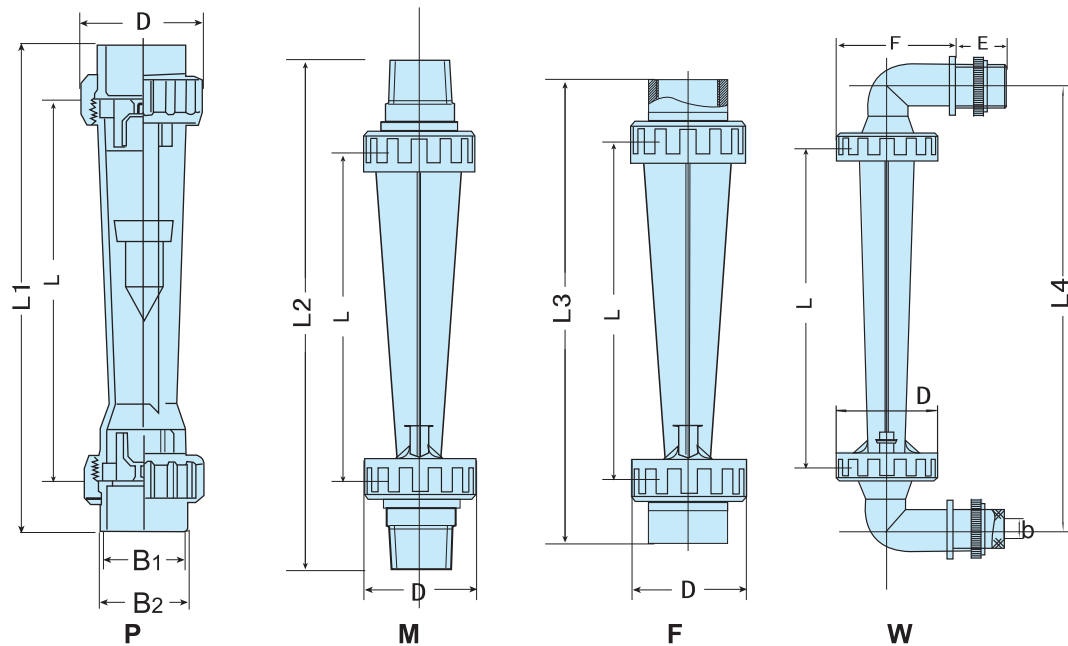


Specifications

Model	Water		Pipe connection	Male Thread	Female Thread	Elbow (W)
	(GPM)	(LPM)				
Z-5008	0.1~1 0.2~2 0.5~5	0.5~4 1~7 1.8~18	ø20	1/2" BSP 1/2" NPT	/	1/2" NPT 1/2" BSP
Z-5008C	0.1~1 0.2~2 0.5~5	0.5~4 1~7 1.8~18	ø20	1/2" NPT 3/4" NPT	1/2" BSP	1/2" NPT 1/2" BSP
Z-5015	0.25~2.5 0.5~5 0.8~8	1~10 1.8~18 3~30	ø20	1/2" NPT 3/4" NPT	1/2" BSP	1/2" NPT 1/2" BSP
Z-5025	0.8~8 1~10	3~30 4~40	ø32	3/4" NPT	3/4" NPT 3/4" BSP	3/4" NPT 3/4" BSP
Z-5032	1.2~12 2~20 2.5~25	5~50 8~80 10~100	ø40	1" NPT	1" NPT 1" BSP	1" NPT 1" BSP
Z-5050	2.5~25 5~45 7~70	10~100 20~180 25~250	ø63	2" NPT	2" NPT 2" BSP	2" NPT 2" BSP
Z-5065	25~110 40~160 50~250	80~400 150~650 200~1000	ø75		2 1/2" NPT	/



Note: Other flow range is optional



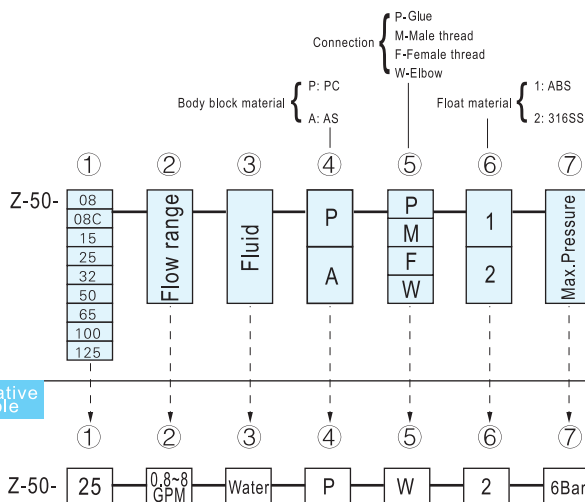
Sizes

Unit:(mm)

Model	L	D	P			M	F	W				Weight (kg)
			L1	B1	B2			L4	E	F	b	
Z-5008	99	42	146	20	26	170	/	153	27	55	ø12	0.15
Z-5008C	160	51	210	20	26	230	209	235	27	55	ø13	0.2
Z-5015	135	51	180	20	26	210	183	205	27	55	ø13	0.2
Z-5025	170	59	226	32	39	253	228	267	35	83	ø20	0.4
Z-5032	223	72	287	40	49	317	287	330	40	95	ø26	0.65
Z-5050	290	100	375	63	73	400	370	440	40	120	ø45	2.5
Z-5065	325	120	420	75	89	/	423	/	/	/	/	3.5

How to order

Material



Model	Body	P	M	F	W	Float
Z-5008	PC,PSU	PVC	PA6	PA66	PVC	316
Z-5008C	PC,PSU	PVC	PA6	PA66	PVC	316
Z-5015	PC,PSU	PVC	PA6	PA66	PVC	316
Z-5025	PC	PVC	PA6	PA66	PVC	ABS,304
Z-5032	PC	PVC	PA6	PA66	PVC	ABS,304
Z-5050	PC,PSU	PVC	PA6	PA66	PA6	ABS,304
Z-5065	SAN	PVC		PA66		ABS

"W" type: panel installation

* Refer to "Ordering" and "Illustrative example" when placing an order or requesting a quotation. Fill in the blanks in the "Order/Quotation Request Card" at the end of the catalog, and send the card by fax.