

The series of Z-500T flowmeter is made of PC (PSU), the float material is 304SS, the connector material is PVC. The adjustor of flowmeter can adjust the flow volume; there are characteristics such as good transparency, easy to read installation.

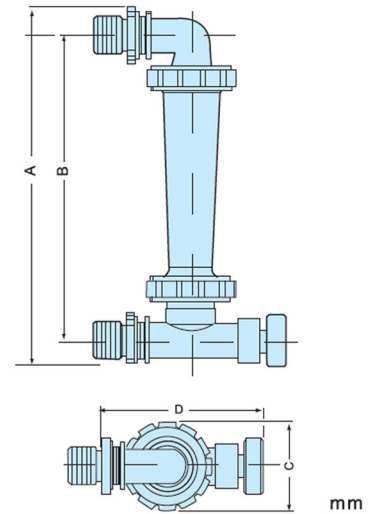
- Temperature Limit: PC(polycarbonate) 0~60°C , PSU(polysulfone) 0~100°C
- Z-5015CT alarm switch is optional

Specification

Model	Water		Male Thread	Accuracy	Weight (Kg)
	GPM	LPM			
Z-5008T	0.1~1 0.2~2 0.5~5 -- --	0.5~4 1~7 1.8~18 1~11 2~20	1/2"NPT	± 6%	0.2
Z-5008CT	0.1~1 0.2~2 0.5~5 --	0.5~4 1~7 1.8~18 2~15	1/2"NPT		
Z-5015T	0.25~2.5 0.5~5 0.8~8	1~10 1.8~18 3~30	1/2"NPT		
Z-5015CT	10~100, 16~160 L/h 25~250, 40~400 L/h		1/2"NPT		

Size

Model	A	B	C	D	E	Thread	Nipple material	Float material
Z-5008T	185	152	42	98	ø21	1/2"NPT	PVC	304SS
Z-5008CT	260	232	51	98	ø21	1/2"NPT	PVC	304SS
Z-5015T	235	205	51	98	ø21	1/2"NPT	PVC	304SS
Z-5015CT	270	240	51	98	ø21	1/2"NPT	PVC	ABS



Z-5010 series Pipeline Flowmeter

Specification

Model	Water (LPM)	Pipe Connection	Thread connection
Z-5011	0.2~3	ø15 L:182mm	ZG 1/2"(Female) L:183mm
Z-5012	0.4~4		
Z-5013	0.6~6		
Z-5014	1~10		
Z-5015	1.6~16	ø15 L:211mm	ZG 3/4"(Male) L:211mm
Z-5016	2.5~25		
Z-5017	5.0~50		

