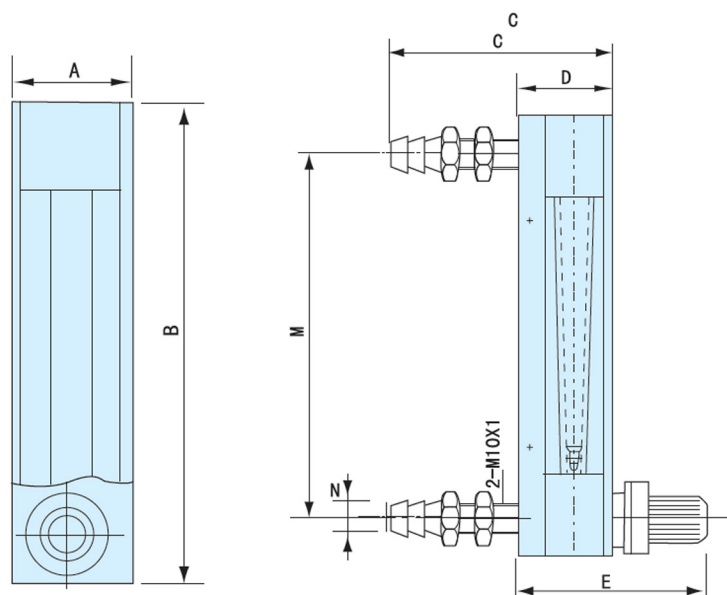


Products of LZB-()WB series have four pipe sizes, including $\phi 3$, $\phi 4$, $\phi 6$ and $\phi 10$. This type of flow meter can be used to test small range of gas and liquid. It is small-sized, widely used in various analysis meters, environmental protection equipment, medical treatment equipment and other experimental meters. WB type is equipped with regulating valve, W type without valve.

Specification

Model	Measure Range		Accuracy	Tube Length (mm)	Working Pressure	Temp.	Flexible Pipe (mm)
	Water	Air (L/min)					
LZB-3WB	2.5~25 ml/min 6~60 ml/min 10~100 ml/min	0.03~0.3 0.06~0.6 0.1~1 0.15~1.5	6%	100	$\leq 0.2\text{MPa}$	0 ~ +60°C	$\phi 8$
LZB-4WB	16~160 ml/min 25~250 ml/min	0.3~3 0.6~6	6%	100			$\phi 8$
LZB-6WB	0.04~0.4 L/min 0.06~0.6 L/min 0.1~1 L/min	0.7~7 1~10 1.5~15	4%	100			$\phi 10$
LZB-10WB	0.1~1 L/min 0.16~1.6 L/min	3~30 5~45	4%	120			$\phi 11$



Sizes

Model	Mark Size	A	B	C	D	E	M	N
								Tubing Size
LZB-3WB		28	136	56	27.5	<52	116	$\phi 8$
LZB-4WB		28	136	56	27.5	<52	116	$\phi 8$
LZB-6WB		28	136	56	29.5	<60	116	$\phi 10$
LZB-10WB		28	160	63	29.5	<60	140	$\phi 11$

