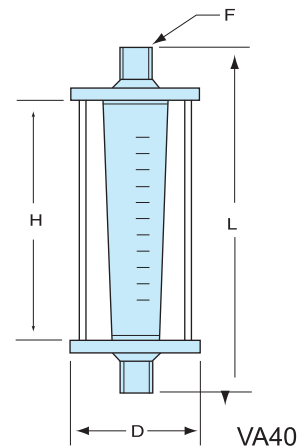


The series of glass rotor flowmeter is an integrated product by cone-shaped glass tube, float, flanges. The installation is easy and the flowmeter is adjustable, the flowmeter is used in ranges such as semi-conductor chemicals etc.

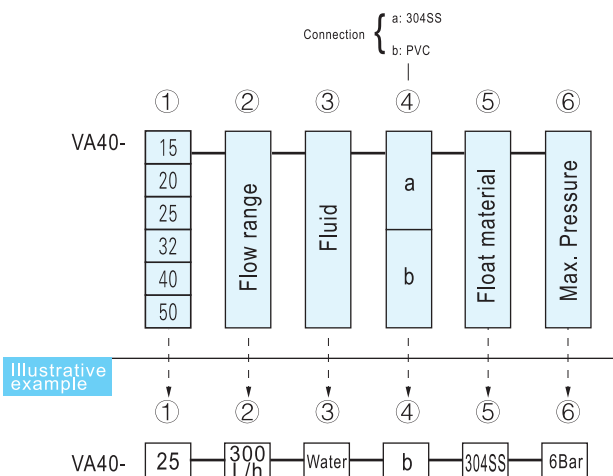
- Temperature Limit: PVC ≤ 60°C,  
304SS ≤ 100°C
- Accuracy: ±5%

**Specifications**

DN	Measure		Work pressure (Mpa)	
	Water (L/h)	Air (NL/min)	304SS	PVC
15	30-300	10-100	≤0.7	≤0.4
	60-600	20-200		
	90-900	25-250		
20	90-900	20-200		
	120-1200	30-300		
	180-1800	50-500		
25	180-1800	50-500		
	300-3000	100-1000		
	480-4800	150-1500		
32	480-4800	200-2000		
	600-6000	250-2500		
	720-7200	300-3000		
40	1-10m³/h	18-180Nm³/h	≤0.5	≤0.3
	1.2-12m³/h	20-200Nm³/h		
	1.5-15m³/h	25-250Nm³/h		
50	1.2-12m³/h	20-200Nm³/h	≤0.3	≤0.25
	1.5-15m³/h	25-250Nm³/h		
	1.8-18m³/h	30-300Nm³/h		



**How to order**



\* Refer to "Ordering" and "Illustrative example" when placing an order or requesting a quotation. Fill in the blanks in the "Order/Quotation Request Card" at the end of the catalog, and send the card by fax.

**Sizes (mm)**

	15	20	25	32	40	50
L	250	300	310	320	330	360
H	150	200	200	200	200	200
D	100	110	120	145	155	170
F	G1/2"	G3/4"	G1"	G1¼"	G1½"	G2"