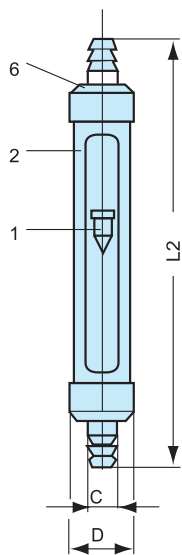


SA10S Glass rotameter are the new products of our company, compared with the other domestic products of the same type, it has advantages of high measuring precision, good interchangeability, multiple connection ways, especially the value of flow rate of the flow meter is in millimeter scale mark, which is capable of providing actual flow scale according to the temperature, pressure, density, and viscosity of different flows, solving the problem of indication correction. As for the ways of connection, use flexible pipe connection.



Unit:mm

Specifications

D N (mm)	Model	Measure		Working pressure (Mpa)	Temp.
		Water (L/h)	Air (m ³ /h)		
15	SA10S-15	4~40	0.12~1.2	≤1.0	-20°C ~120°C
		6~60	0.3~3		
		10~100	0.5~5		
		16~160	0.8~8		
		25~250	1.2~12		
25	SA10S-25	40~400	2~20	≤1.0	
		63~630	2~20		
		100~1000	3~30		
		160~1600	5~50		
40	SA10S-40	250~2500	8~80	≤0.9	
		400~4000	12~120		
50	SA10S-50	160~1600	5~50	≤0.7	
		250~2500	8~80		
		400~4000	12~120		
		630~6300	20~200		
		1000~10000	30~300		
		4000~16000			

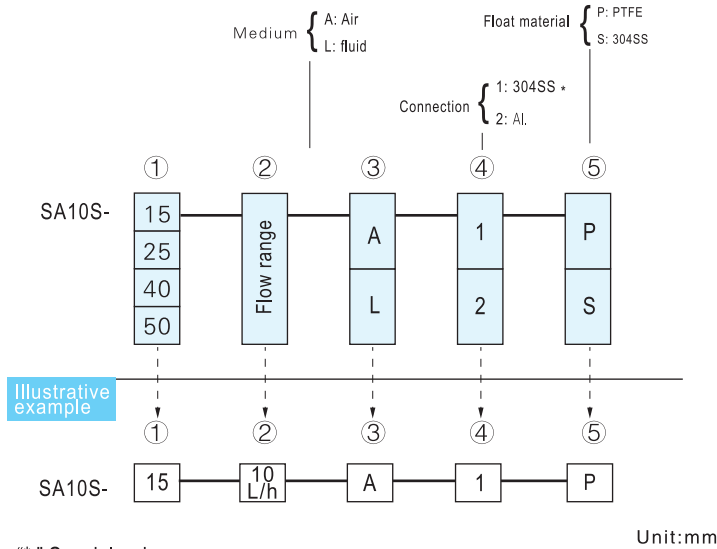
Sizes

D N (mm)	Window size axb	Pipe thread connection			
		L1	C	Thread	Weight(Kg)
15	26x230	408	53	1/2" FNPT BSP1/2"	1
25	26x230	414	75	1" FNPT BSP1"	1.8
40	40x230	428	92	1½" FNPT BSP1½"	3.7
50	50x230	431	116	2" FNPT BSP2"	5.9

Material

No.	Material	No.	Material
1	304SS, 316L or PTFE	5	304SS or 45#
2	Steel pipe	6	304SS or Al.
3	AL or 304SS	7	45# or 304SS*
4	45#	8	Al. or 304SS

How to order



“* ” Special order

*:Refer to "Ordering" and "Illustrative example" when placing an order or requesting a quotation. Fill in the blanks in the order/Quotation request card at the end of the catalog, and send the card by fax.

Unit:mm