

Type MN7

Oval gear meter for industrial fluids



Features

- Large viscosity range
- Good accuracy
- Accessories like pulse transmitters with hall effect sensor, electronic LCD display as well as Ex-proof display for applications in zone 1, can be mounted on the meter.

Description

The volumetric meters of the MN-series are working on the oval gear measurement principle. Their simple design makes maintenance on site easy. Only two rotative parts are in contact with the fluid.

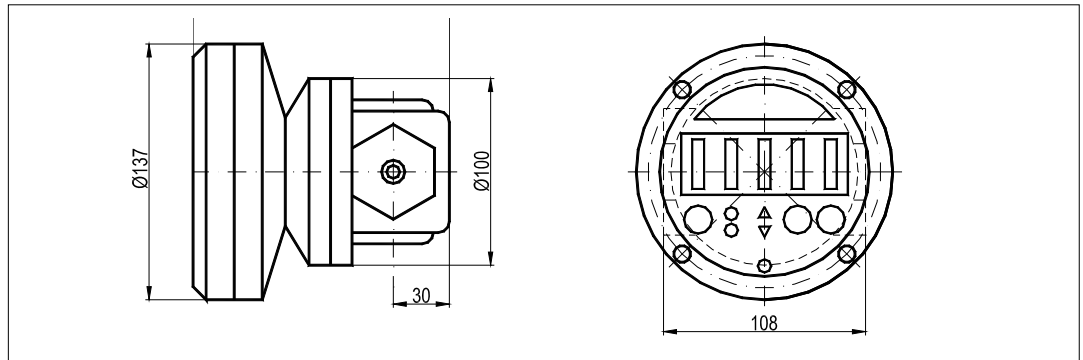
Applications

Model MN7 is best suited for AdBlue[®] and pure fluids with a maximum viscosity of 1000 mPas and a maximum operating pressure of 10 bar.

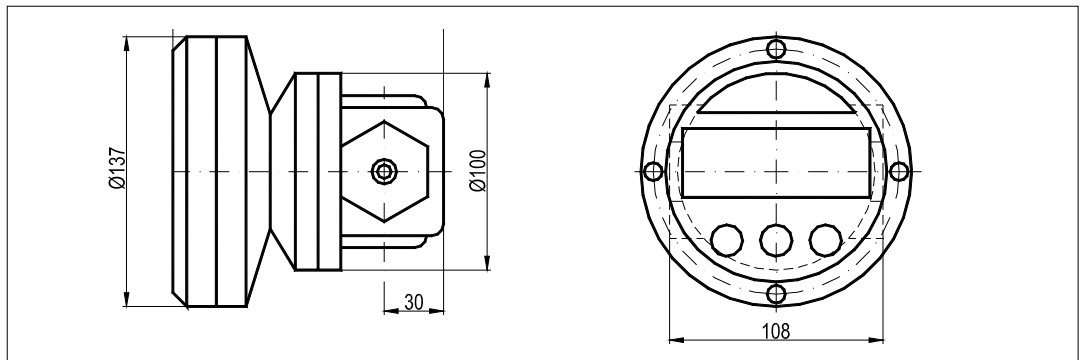
Technical data

Model	with pulse transmitter	with electronic display
Size	DN 25	
Flow range	under 5 mPas: 480 – 4200 l/h, over 5 mPas: 180 – 4500 l/h	
Accuracy	±0,5% of value	
Repeatability	0,03%	
Max. viscosity	1000 mPas	
Max. pressure	10 bars / 250 bar	
Max. temperature	80°C / 120°C	
Pulse rate	52 PPL	
Pulse transmitter	Reedswitch	
Recommended filter unit	0,1 mm	
Register	without	electronic
Process connections	R 1"	
Housing material	Resin / PPS / Alu	
Oval gear material	Resin / PPS / Stainless steel 316L	
Option	Pulse transmitter / hall effect sensor; Standard LCD display / Option with EEx-i	

MN7 deluxe LC display



MN7 standard LC display



MN7 pulse meter

