



MN6

Oval gear meter



Features

- Compact size
- Two independent pulse units
- Flexibility of installation options (e.g. can be mounted horizontally or vertically; no flow conditioning required.)
- Low pressure drop allows for economical pump selection or gravity flow applications
- Meter construction enables fast and easy on-site servicing without removal from applications
- Meter design minimises the number of wearable and replaceable parts and extends product life
- Meter accuracy is verified by a factory calibration check after which an individual metrology report is issued
- All LC displays meet European CE directive for EMC
- Display/pulse version has IP65/NEMA9 protection
- Intrinsically safe LC deluxe & standard displays. Certificate of conformity number PTB Nr. Ex-93.C.4033x & KEMA 05ATEX 1168X

Description

Type MN6 is a low to medium flow range model. It is a compact meter that has the ability to handle a wide range of fluid viscosities with exceptional levels of repeatability and durability.

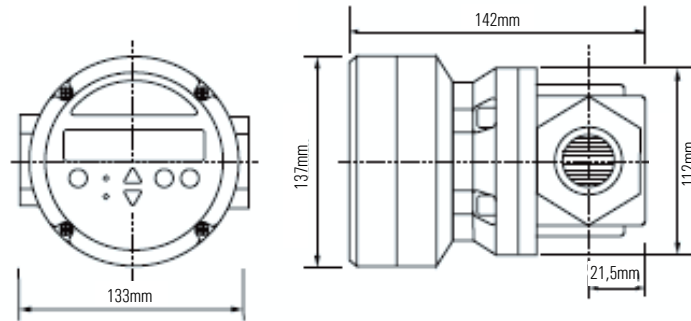
Technical Data

Type	MN6	
Model	with pulse transmitter	with electronic display
Size	DN 20	
Flow range	under 5 mPas: 180 – 1500 l/h over 5 mPas: 60 – 1800 l/h	
Accuracy	±0,5% of value	
Repeatability	0,03%	
Max. viscosity	1000 mPas*	
Max. pressure	55 bars	
Max. temperature	80°C / 120°C	
Pulse rate	52 PPL	
Pulse transmitter	Reedswitch	
Recommended filter unit	0,1 mm	
Register	none	electronic
Process connections	R 3/4"	
Housing material	Alu	
Oval gear material	PPS/316 SS	
Option	Pulse transmitter / hall effect sensor Standard LCD display / Option with EEx-i Deluxe LCD preset meter / Option with EEx-i	

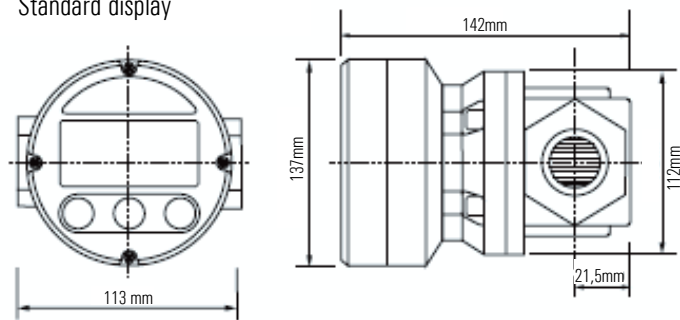
* Up to 1.000.000 mPas with special Oval gears

Dimensions

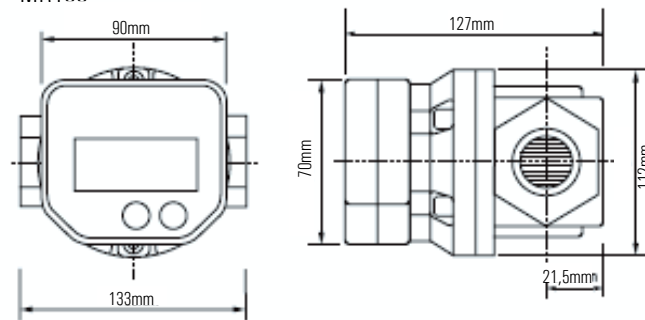
Deluxe display



Standard display



MR100



Pulse meter

