



Type MN40

Oval gear meters for industrial fluids



Features

- Large viscosity range
- Good accuracy
- Aluminium, bronze or stainless steel housing
- Mechanical or electronic register, ex-proof, can be mounted upon request

Description

The volumetric meters of the MN-series are working on the oval gear measurement principle. Their simple design makes maintenance on site easy. Only two rotative parts are in contact with the fluid.

Applications

Type MN40 is best suited for flow measurement of mechanically pure fluids within a large viscosity range.

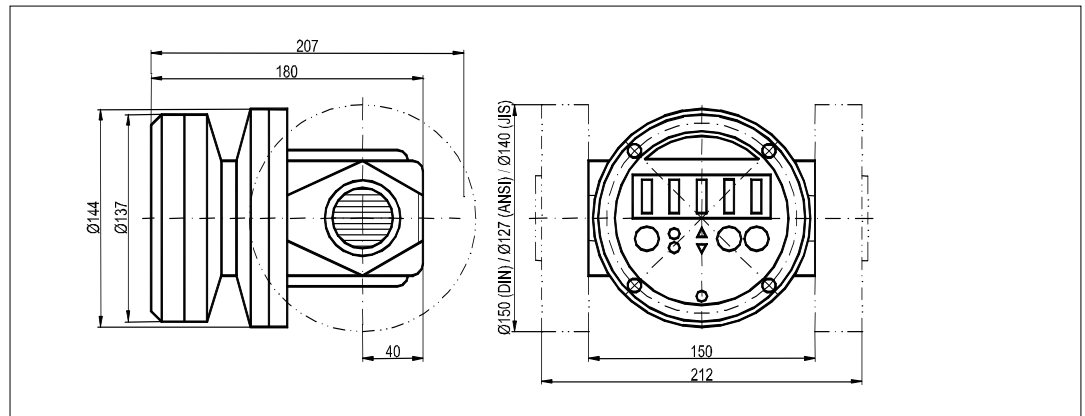
Technical data

Model	with pulse transmitter	with electronic display	with mechanical display
Size	DN 40		
Flow range	under 5 mPas: 900 – 14100 l/h, over 5 mPas: 600 – 15000 l/h		
Accuracy	±0,5% of value		±1% of value
Repeatability	0,03%		
Max. viscosity	1000 mPas*		
Max. pressure	18 bars	18 bars	18 bars
Max. temperature	80°C / 120°C / 150°C		
Pulse rate	14,5 PPL		---
Pulse transmitter	Reedswitch		
Recommended filter unit	0,1 mm		
Register	none	electronic	mechanical**
Process connections	R 1 ½" / DN 40 / ANSI 1 ½" / Triclamp		
Housing material	Alu/316 SS/Bronze		
Oval gear material	PPS/316 SS		
Option	Pulse transmitter / hall effect sensor; Standard LCD display / Option with EEx-i; Deluxe LCD preset meter / Option with EEx-i		

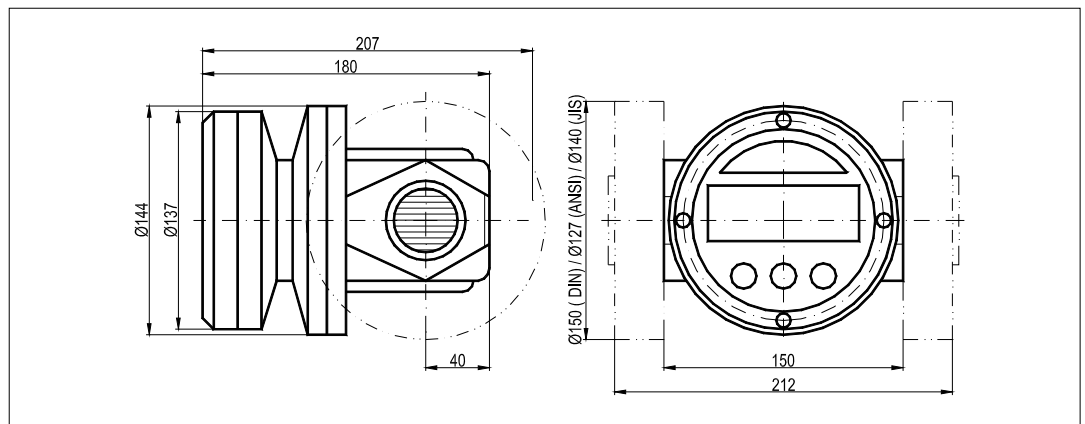
* With special oval gears up to 1.000.000 mPas

** No pulse transmitter in connection with mechanical register (analogue version has pulse option)

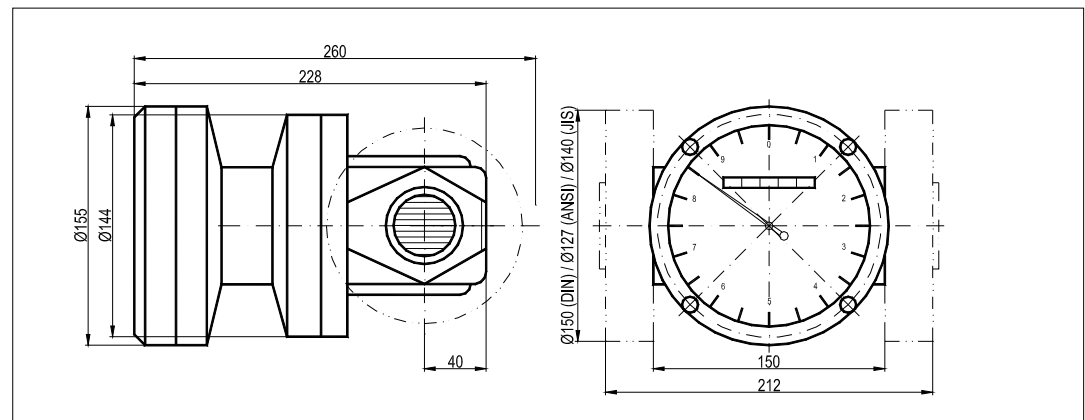
MN40 deluxe LC display



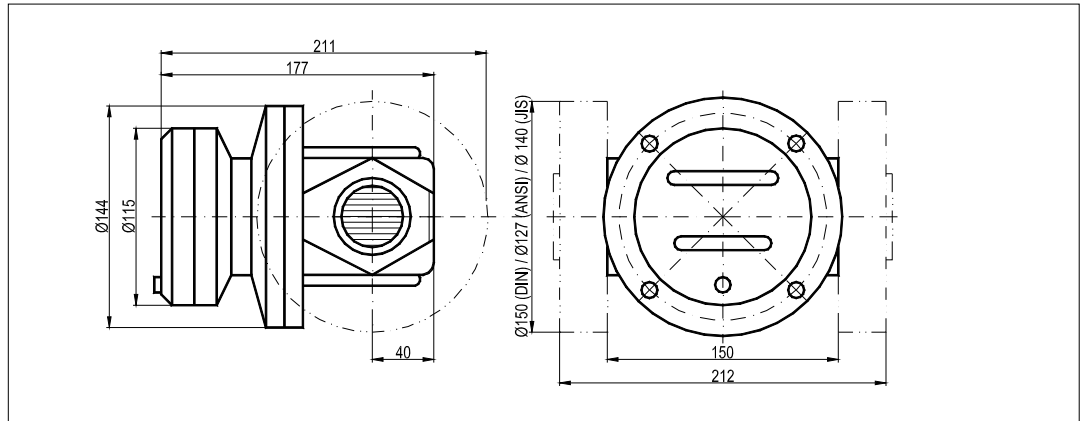
MN40 LC display



MN40 mechanical display analogue



MN40 mechanical display



MN40 pulse meter

