



## Oval gear meter

### Type MN4 for industrial fluids



#### Features

- Large flow range
- Good accuracy
- Available in various models: Aluminium or stainless steel housing with pulse transmitter or mechanic register

#### Description

The volumetric meters of the MN-series are working on the oval gear measurement principle. Their simple design makes maintenance on site easy. Only two rotative parts are in contact with the fluid.

#### Applications

Type MN4 is best suited for mechanically pure fluids with a maximum viscosity of 1000 mPas and a max. pressure of 55 bar.

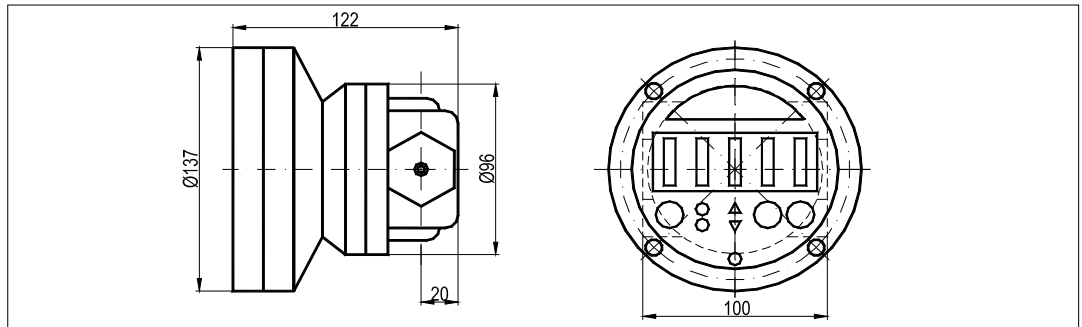
#### Technical data

Model	with pulse transmitter	with electronic display	
Size	DN 15		
Flow range	under 5 mPas: 180 – 1500 l/h, over 5 mPas: 60 – 1800 l/h		
Accuracy	±0,5% of value		
Repeatability	0,03%		
Max. viscosity	1000 mPas*		
Max. pressure	55 bars	55 bars	34 bars
Max. temperature	80°C / 120°C / 150°C		
Pulse rate	112 PPL		
Pulse transmitter	Reedswitch		
Recommended filter unit	0,1 mm		
Register	none	electronic	mechanical**
Process connections	R 1/2"		
Housing material	Alu/316 SS		
Oval gear material	PPS/316 SS		PPS only
Option	Pulse transmitter / hall effect sensor; Standard LCD display / Option with EEx-i;Deluxe LCD preset meter / Option with EEx-i		

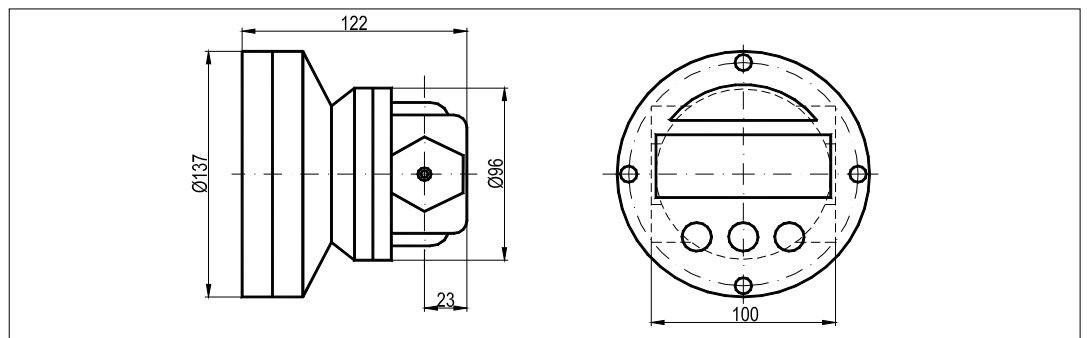
\*With special oval gears up to 1.000.000 mPas

\*\*No pulse transmitter in connection with mechanical register

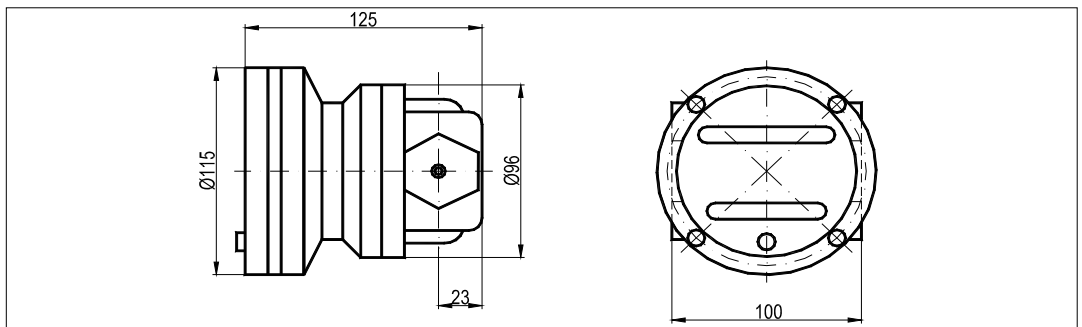
### MN4 deluxe LC display



### MN4 standard LC display



### MN4 mechanical display



### MN pulse meter

