



## Type MN100

### Oval gear meters for industrial fluids



#### Features

- Large viscosity range
- Good accuracy
- Aluminium housing
- Mechanical or electronic register, ex-proof, can be mounted upon request

#### Description

The volumetric meters of the MN-series are working on the oval gear measurement principle. Their simple design makes maintenance on site easy. Only two rotative parts are in contact with the fluid. There are two pulse outputs available (one for the register, one for external systems).

#### Applications

Type MN100 is best suited for flow measurement of mechanically pure fluids within a large viscosity range.

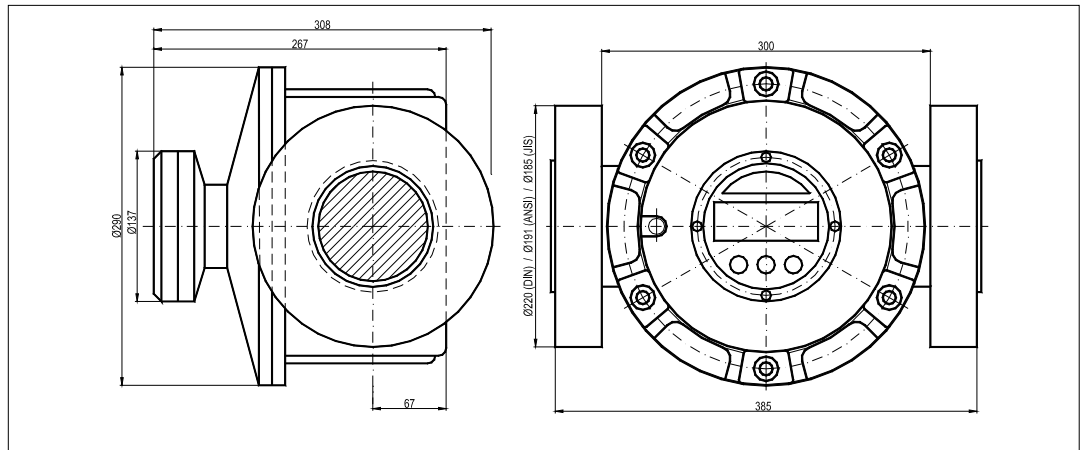
#### Technical data

Model	with pulse transmitter	with standard display	with deluxe display
Size	DN 100		
Flow range	under 5 mPas: 300 – 1200 l/min, over 5 mPas: 120 – 1200 l/min		
Accuracy	±0,5% of value		
Repeatability	0,03%		
Max. viscosity	1000 mPas		
Max. pressure	10 bars*		
Max. temperature	80°C / 120°C		
Pulse rate	2.315 PPL		
Pulse transmitter	Reed switch / Hall effect or reed / hall		
Pulse type	Dual reed switches**		
Recommended filter unit	0,1 mm		
Process connections	ANSI 150lb	JIS 10K or DN 100 PN16	
Housing material	Aluminium / Stainless steel 316L		
Oval gear material	Aluminium / Stainless steel 316L		
Option	Standard display intrinsically safe / Deluxe display intrinsically safe / Mechanical display with pulse option P500		

\*Meets European pressure directive 97/23/EC

\*\*Reed switch required for standard and Deluxe LC displays.

### MN100 with LCD display



### MN100 wit pulse transmitter

