

Type MN10

Oval gear meters for industrial fluids



Features

- Large viscosity range
- Good accuracy
- Aluminium, bronze or stainless steel housing
- Mechanical or electronic register, ex-proof, can be mounted upon request

Description

The volumetric meters of the MN-series are working on the oval gear measurement principle. Their simple design makes maintenance on site easy. Only two rotative parts are in contact with the fluid.

Applications

Type MN10 is best suited for flow measurement of mechanically pure fluids within a large viscosity range.

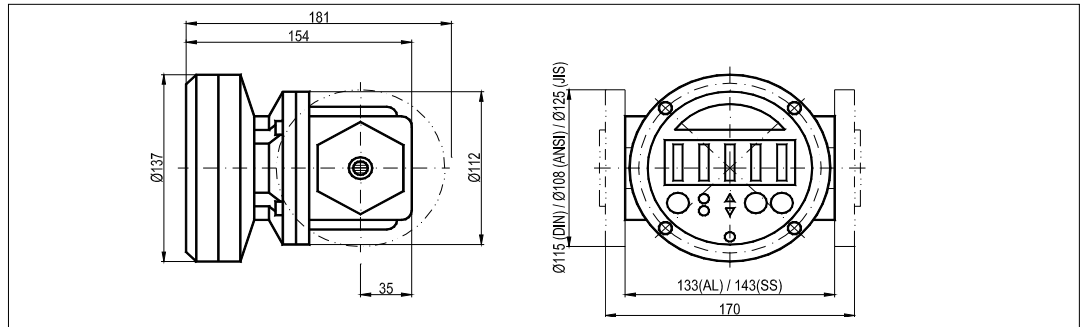
Technical data

Model	with pulse transmitter	with electronic display	with mechanical display
Size	DN 25		
Flow range	under 5 mPas: 600 – 6000 l/h, over 5 mPas: 360 – 7200 l/h		
Accuracy	±0,5% of value		±1% of value
Repeatability	0,03%		
Max. viscosity	1000 mPas*		
Max. pressure	16/55 bars / 138 bar	16/55 bars	16/34 bars
Max. temperature	80°C / 120°C / 150°C		
Pulse rate	36 or 72 PPL		---
Pulse transmitter	Reedswitch		
Recommended filter unit	0,1 mm		
Register	none	electronic	mechanical**
Process connections	BSP / NPT	R 1" / DN 25 / ANSI 1" / Triclamp	
Housing material	Alu/316 SS/Bronze		
Oval gear material	PPS/316 SS		
Option	Pulse transmitter / hall effect sensor or combined; Standard LCD display / Option with EEX-i; Deluxe LCD preset meter / Option with EEx-i		

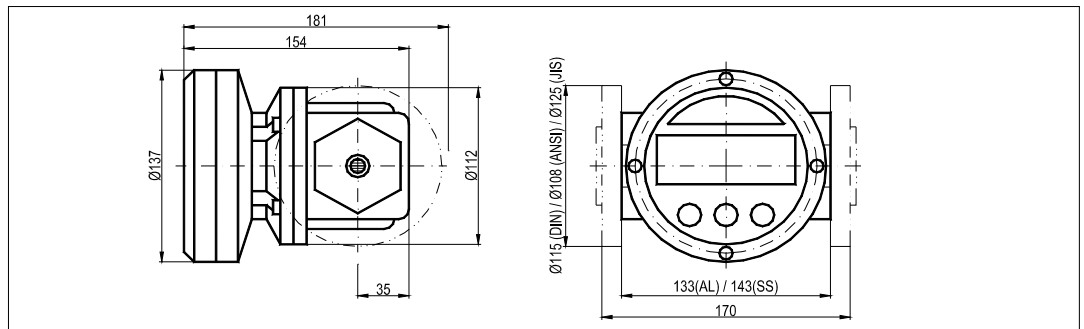
*With special oval gears up to 1.000.000 mPas

**No pulse transmitter in connection with mechanical register

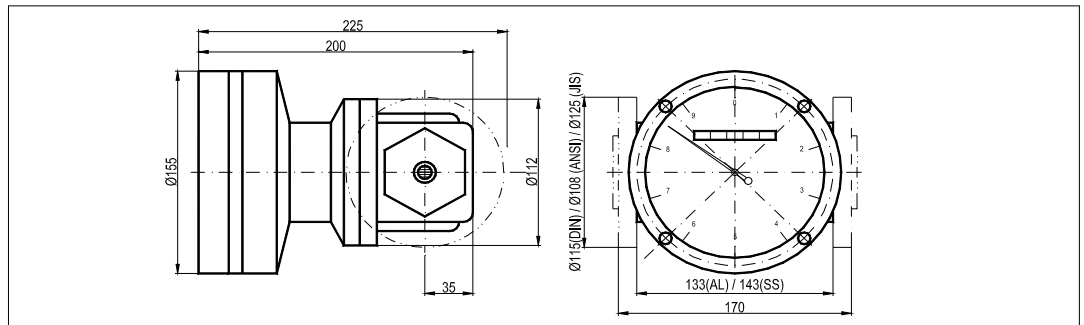
MN10 deluxe LC display



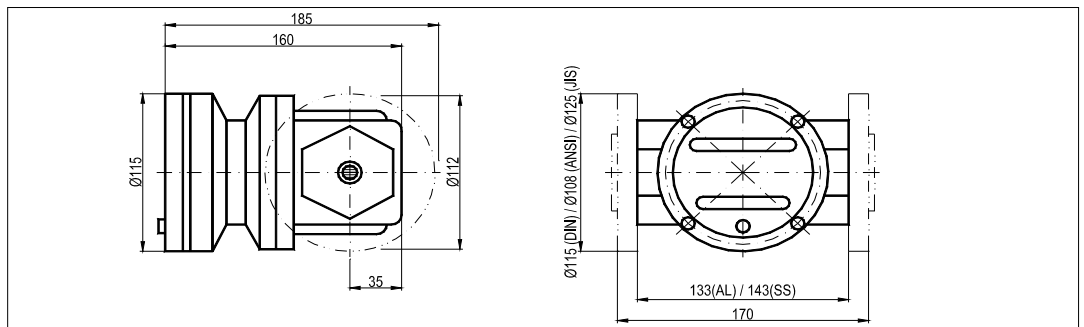
MN 10 LC standard display



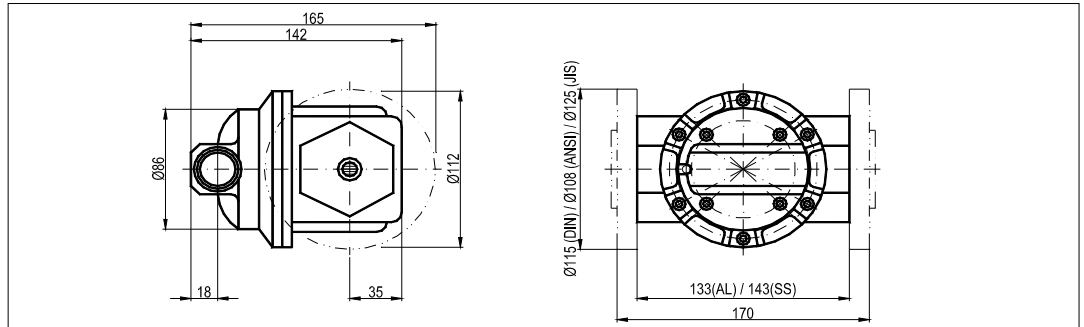
MN 10 mechanical display, analogue



MN 10 mechanical display



MN 10 pulse meter



MN 10 Tri Clamp®

