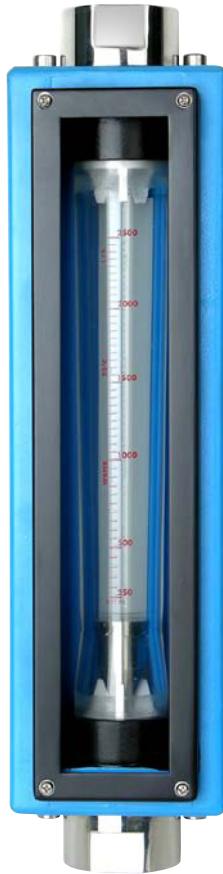
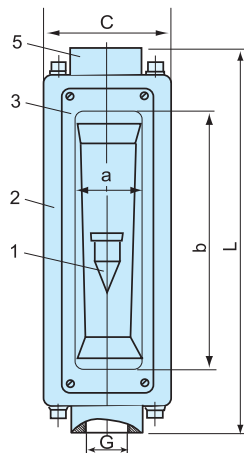


GA series glass rotameter with safety cover of special laminated glass, with high safety factor, and easy to replace glass tube and float.



GA24V



Unit:mm

Specifications

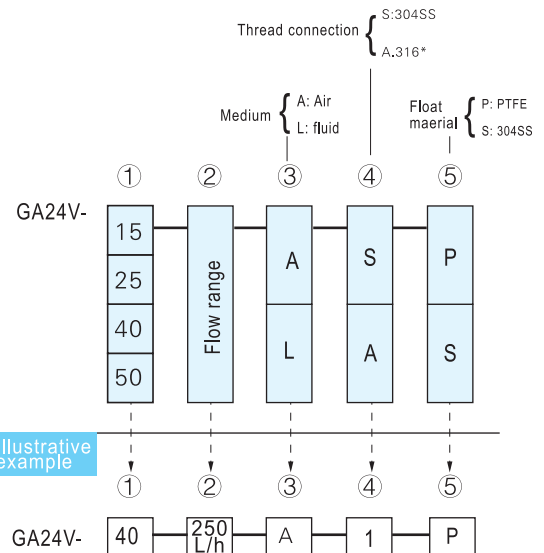
D N (mm)	Model	Measure		Working pressure (Mpa)	Temp.
		Water(L/h)	Air(m ³ /h)		
15	GA24V-15	4~40	0.12~1.2	≤1.0	-20°C ~120°C
	GA24V-15F	6~60 10~100 16~160 25~250 40~400 63~630*	0.3~3 0.5~5 0.8~8 1.2~12 2~20*		
25	GA24V-25	63~630	2~20	≤1.0	
	GA24V-25F	100~1000 160~1600 250~2500*	3~30 5~50 8~80*		
40	GA24V-40	160~1600	5~50	≤0.9	
	GA24V-40F	250~2500 400~4000*	8~80 12~120*		
50	GA24V-50	400~4000	12~120	≤0.6	
	GA24V-50F	630~6300 1000~10000 4000~16000*	20~200 30~300*		

Note:ex-corrosive type can't make * flow range.

Sizes

D N (mm)	Window size axb	L	G	C	Weight (Kg)
15	37x302	420	1/2"F/NPT 1/2"Gg	80	3.8
25	52x294		1"F/NPT 1"G	105	5.4
40	64x278		1½"F/NPT 1½"G	125	8
50	94x266		2"F/NPT 2"G	165	12.7

How to order



Material

No.	Material	No.	Material
1	304SS, 316*, PTFE	4	HT20-40, 304SS, 316*
2	45 steel board	5	304SS, 316*
3	Anti-explosion glass		

** " Special order

*:Refer to "Ordering"and"Illustrative example"when placing an order or requesting a quotation.Fill in the blanks in the order/Quotation request card" at the end of the catalog, and send the card by fax.